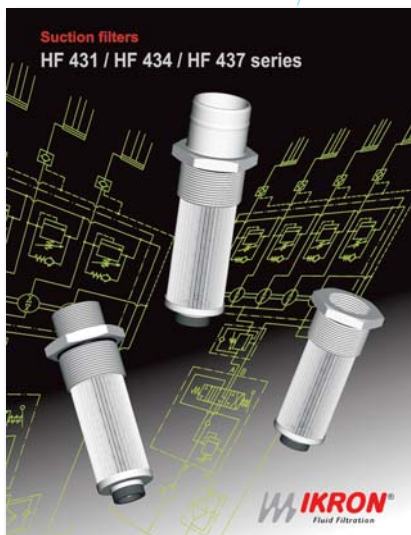


Products Range



Suction filters HF 410 / HF 412 series

- » Maximum flow: 80 US gpm (300 l/min)
- » Filtering media: Stainless steel wire mesh 25 μ m, 60 μ m, 125 μ m, 250 μ m
Steel wire mesh 90 μ m



Suction filters HF 431 / HF 434 / HF 437 series

- » Maximum flow: 58 US gpm (220 l/min)
- » Filtering media: Stainless steel wire mesh 60 μ m, 125 μ m, 250 μ m



Tank mounted return line filters HF 502 / HF 508 series

- » **Maximum flow:** 264 US gpm (1000 l/min)
- » **Maximum working pressure:** 116 psi (8 bar)
- » **Filtering media:** Micro-fibre glass 3 μ m, 6 μ m, 10 μ m, 25 μ m
Cellulose 10 μ m, 25 μ m
Reinforced cellulose 10 μ m, 25 μ m
Stainless steel wire mesh 25 μ m, 60 μ m, 125 μ m
Steel wire mesh 90 μ m



Tank mounted return line filters HF 547 series

- » **Maximum flow:** 53 US gpm (200 l/min)
- » **Maximum working pressure:** 116 psi (8 bar)
- » **Filtering media:** Micro-fibre glass 3 μ m, 6 μ m, 10 μ m, 25 μ m
Cellulose 10 μ m, 25 μ m
Reinforced cellulose 10 μ m, 25 μ m
Stainless steel wire mesh 25 μ m, 60 μ m, 125 μ m
Steel wire mesh 90 μ m
- » **Built-in air filter:** 10 μ m, 40 μ m



Tank mounted return line filters HF 554 series

- » **Maximum flow:** 166 US gpm (630 l/min)
- » **Maximum working pressure:** 116 psi (8 bar)
- » **Filtering media:** Micro-fibre glass 3 μ m, 6 μ m, 10 μ m, 25 μ m
Cellulose 10 μ m, 25 μ m
Reinforced cellulose 10 μ m, 25 μ m
Stainless steel wire mesh 25 μ m, 60 μ m, 125 μ m
Steel wire mesh 90 μ m
- » **Built-in air filter:** 10 μ m, 40 μ m (*)

(*) built-in air filter available only for dimensions 10 and 20



Tank mounted return line filters
HF 570 / HF 575 / HF 578 series

**Tank mounted return line filters
HF 570 / HF 575 / HF 578 series**

- » Maximum flow: 317 US gpm (1200 l/min)
- » Maximum working pressure: 116 psi (8 bar)
- » Filtering media: Micro-fibre glass 10µm, 25µm
Cellulose 10µm, 25µm
Stainless steel wire mesh 60µm, 125µm
- » Inside to outside flow filtration



Suction and return tank mounted filters
HF 595 series

**Suction and return tank mounted filters
HF 595 series**

- » Maximum flow: Return line 53 US gpm (200 l/min)
Suction line 21 US gpm (80 l/min)
- » Maximum working pressure: 218 psi (15 bar)
- » Filtering media: Micro-fibre glass 10µm, 25µm
Cellulose 10µm, 25µm
Reinforced cellulose 10µm, 25µm
Stainless steel wire mesh 60µm, 125µm



Suction and return in line Spin-On filters
HF 620 / HF 625 series

**Suction and return in line Spin-On filters
HF 620 / HF 625 series**

- » HF 620 maximum flow : Return line 92 US gpm (350 l/min)
Suction line 50 US gpm (190 l/min)
- » HF 625 maximum flow : 59 US gpm (225 l/min)
- » Maximum working pressure HF 620: 174 psi (12 bar)
- » Maximum working pressure HF 625: 363 psi (25 bar)
- » Filtering media: Micro-fibre glass 10µm, 25µm
Cellulose 10µm, 25µm
Steel wire mesh 60µm, 90µm



In line medium pressure Spin-On filters HF 650 series

- » Maximum flow: 53 US gpm (200 l/min)
- » Maximum working pressure: 508 psi (35 bar)
- » Filtering media: Micro-fibre glass 3µm, 6µm, 10µm, 16µm, 25µm
Reinforced cellulose 10µm, 25µm



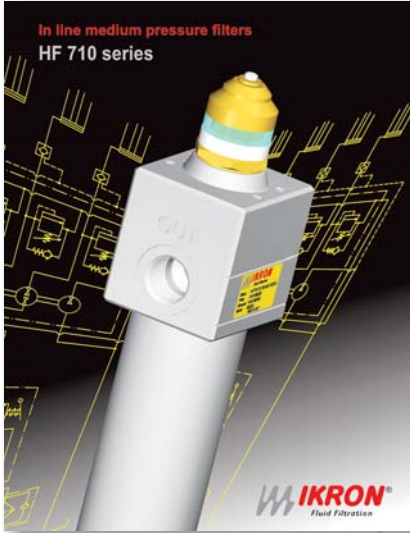
In line medium pressure filters HF 690 series

- » Maximum flow: 24 US gpm (90 l/min)
- » Maximum working pressure: 1595 psi (110 bar)
- » Filtering media: Micro-fibre glass 3µm, 6µm, 10µm, 25µm
Reinforced cellulose 10µm, 25µm



In line high pressure filters HF 705 series

- » Maximum flow: 30 US gpm (115 l/min)
- » Maximum working pressure: 5075 psi (350 bar)
- » Filtering media: Sintered bronze 10µm, 25µm, 40µm, 60µm



**In line medium pressure filters
HF 710 series**

- » Maximum flow: 12 US gpm (45 l/min)
- » Maximum working pressure: 3626 psi (250 bar)
- » Filtering media: Micro-fibre glass 3µm, 6µm, 10µm, 25µm



**In line high pressure filters
HF 725 series**

- » Maximum flow: 5 US gpm (20 l/min)
- » Maximum working pressure: 5075 psi (350 bar)
- » Filtering media: Micro-fibre glass 3µm, 6µm, 10µm, 25µm
Stainless steel wire mesh 10µm, 25µm



**In line high pressure filters
HF 735 series**

- » Maximum flow: 40 US gpm (150 l/min)
- » Maximum working pressure: 4640 psi (320 bar)
- » Filtering media: Micro-fibre glass 3µm, 6µm, 10µm, 25µm



In line high pressure filters HF 745 series

- » Maximum flow: 45 US gpm (170 l/min)
- » Maximum working pressure: 4060 psi (280 bar)
- » Filtering media: Micro-fibre glass 3µm, 6µm, 10µm, 25µm



In line high pressure filters HF 760 / HF 761 series

- » Maximum flow: 120 US gpm (450 l/min)
- » Maximum working pressure: 6090 psi (420 bar)
- » Filtering media: Micro-fibre glass 3µm, 6µm, 10µm, 25µm



Filler breathers HB 50 / HB 70 / HB 110 / HB 120 series Air filters AF 105 / AF 106 series Level gauges HL 91 / HB 02 series

- » Steel made filler caps with air breather
- » Nylon made filler caps with air breather
- » Cloche air filters
- » Air filters with Spin-On element
- » Level gauges with 3 in (76 mm), 5 in (127 mm), 10 in (254 mm) differences between centers
- » Level gauges with aluminum body